

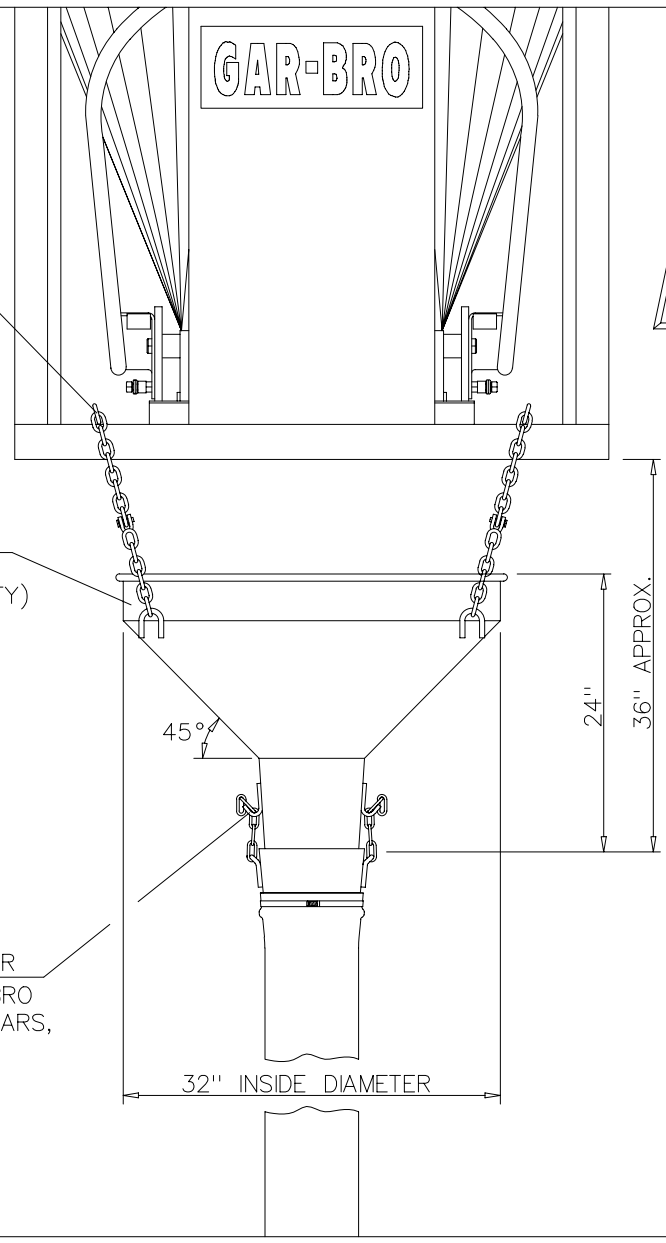
GAR-BRO

NOTE:
 BUCKET CANNOT BE GROUNDED WITH
 SUB-HOPPER ATTACHED TO BOTTOM
 CHANNEL RING

SUB-HOPPER SUPPORT CHAINS
 WITH GRAB-HOOKS, 4 PLACES
 90 DEG APART AROUND HOPPER
 CHAIN WRAPPED AROUND BUCKET
 BOTTOM CHANNEL RING AND
 SECURED WITH GRAB HOOKS

OPTIONAL GAR-BRO ITEM 449
 SUSPENDED STEEL SUB-HOPPER
 6", 8", OR 12" DIA. DISCHARGE (SPECIFY)
 NO. 14 GA. MATERIAL

HOOKS ON DISCHARGE OF SUB-HOPPER
 ALLOW THE USE OF STANDARD GAR-BRO
 TREMIE, SUCH AS DROP CHUTES, COLLARS,
 OR ELEPHANT TRUNK



GAR-BRO MANUFACTURING CO.
 104 BOLTON SULLIVAN DRIVE P.O. DRAWER 1077
 HEBER SPRINGS, ARKANSAS - 72543-1077

SUSPENDED STEEL
 SUB-HOPPER
 GENERAL ARRANGEMENT

SCALE	NONE	SHOP NO.	SALES
DATE	5-15-02	SHIPPING CUBICS	
REVISED		DRAWING NO.	
MADE BY	BLC	02-36	
CHANGED TO/FROM			
SUPERSEDES		SHEET	AA OF