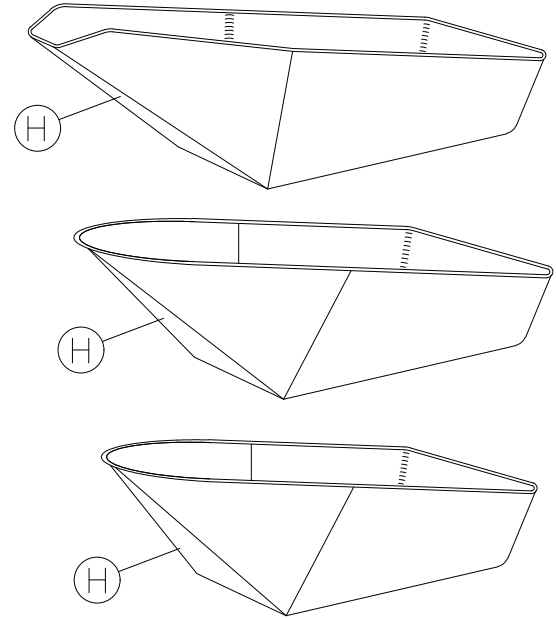


CUSHION TIRE DISCONTINUED



MARK	QTY.	DESCRIPTION	ITEM 10-D		ITEM 14-D		ITEM 15-D		
			PART NO.	WT.	PART NO.	WT.	PART NO.	WT.	
A	2	TIRE - 400 X 8, PNEUMATIC	1446	4.5	1446	4.5	1446	4.5	*
B	2	TUBE - 400 X 8, PNEUMATIC	0148	1.0	0148	1.0	0148	1.0	*
C	2	WHEEL - 400 X 8, PNEUMATIC	1563	7.0	1563	7.0	1563	7.0	*
D	2	WHEEL - 12" DIA., STEEL RIMMED	1566	6.3	1566	6.3	1566	6.3	
<del>E</del>	<del>2</del>	<del>WHEEL ASSY. - 12 X 300 CUSHION TIRE</del>	<del>1561</del>	<del>11.0</del>	<del>1561</del>	<del>11.0</del>	<del>1561</del>	<del>11.0</del>	DISCONTINUED
F	4	BEARING - WHEEL, 3/4" I.D.	1472	0.3	1472	0.3	1472	0.3	
G	2	LOCK NUTS FOR AXLE - WHEEL	0913	0.1	0913	0.1	0913	0.1	
H	1	TRAY	1454	36	1457	38	1458	41	
I	6	BOLT - TRAY	1462	0.5	1462	0.5	1462	0.5	
J	6	NUTS FOR HANDLE & TRAY BOLTS	0211	0.3	0211	0.3	0211	0.3	
K	6	WASHERS - FLAT	0383	0.2	0383	0.2	0383	0.2	
L	6	WASHERS - LOCK	0130	0.1	0130	0.1	0130	0.1	
M	1	LEGS	1468	10	1468	10	1468	10	
N	1	FRAME	2690	35	2690	35	2690	35	
O	1	TIRE, TUBE & WHEEL ASSY - 400 X 8, PNEU	3252	12.5	3252	12.5	3252	12.5	*

**GAR-BRO MANUFACTURING CO.**  
 104 BOLTON SULLIVAN DRIVE - P.O. DRAWER 1077  
 HEBER SPRINGS, ARKANSAS 72543-1077

THIS DRAWING IN DESIGN AND DETAIL IS THE PROPERTY OF GAR-BRO MANUFACTURING COMPANY AND MUST NOT BE USED EXCEPT IN CONNECTION WITH OUR WORK. ALL RIGHTS OF DESIGN, DETAIL, AND INVENTION ARE RESERVED.

**PARTS LIST**  
*for*  
**DUAL WHEEL  
 WHEELBARROWS**

SCALE	NONE	SHOP NO.	PARTS
DATE	8-27-74	SHIPPING CUBICS	
REVISED	6-29-11	DRAWING NO.	
MADE BY	BLC	74-51	
CHANGED TO/FROM			SHEET A OF A
SUPERSEDES			