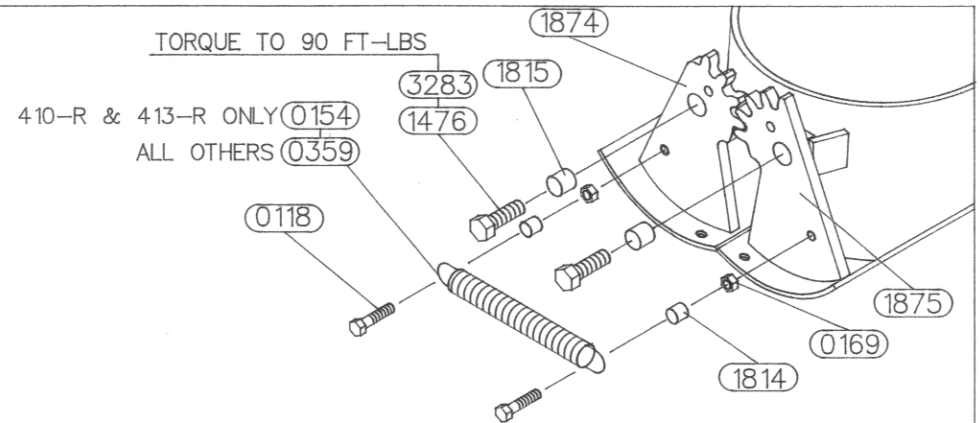


REF	DESCRIPTION	ITEM NUMBER						
		410-R	413-R	420-R	427-R	440-R	454-R	483-R
A	"A" LEG ASSEMBLY	2884	2885	2886	2887	2888	2889	2890
B	"V" LEG ASSEMBLY	2891	2892	2893	2894	2895	2896	2897
C	RING SECTOR, PIPE	2898	2899	2900	2901	2902	2903	2904
D	COMPLETE FRAME	2877	2878	2879	2880	2881	2882	2883
E	GATE LEVER	2905	2906	2907	2908	2909	2910	2911
F	GATE PLATE ONLY	2332	2332	2332	2332	2332	2332	2332
G	GATE PLATE ASSEMBLY	2505	2505	2505	2505	2505	2505	2505

NOTE: RADIUS ARMS AND GATE PLATES MAY BE ORDERED SEPARATELY USING CORRESPONDING PART NUMBERS AS SHOWN - HOWEVER - FOR EASE OF ASSEMBLY AND PROPER GATE ALIGNMENT IT IS RECOMMENDED THAT THE "GATE PLATE ASSEMBLY" -REF "G"- BE ORDERED
 THE "GATE PLATE ASSEMBLY" IS FURNISHED COMPLETE WITH RADIUS ARMS ATTACHED AT EACH END - TWO GATE PLATE ASSEMBLIES ARE REQUIRED PER GATE



TORQUE TO 90 FT-LBS
 410-R & 413-R ONLY (0154)
 ALL OTHERS (0359)

PART NO.	DESCRIPTION
△ 0019	LOCKWASHER
△ 0114	GATE LEVER BOLT
△ 0118	GATE SPRING BOLT
⊕ 0154	GATE LEVER SPRING
△ 0169	HEX NUT
△ 0359	GATE SPRING
△ 1476	PIVOT BOLT

PART NO.	DESCRIPTION
△ 1814	SPRING SPACER
△ 1815	PIVOT BUSHING
1874	RADIUS ARM, 4 TEETH
1875	RADIUS ARM, 5 TEETH
2620	R GATE COMPLETE
3002	R GATE REPAIR KIT
△ 3283	THREAD LOCKING CMPD

⊕ 440-R, 454-R, & 483-R

△ INCLUDED IN PN 3002 REPAIR KIT

WHEN ORDERING PARTS, SPECIFY:

1. THIS DRAWING NO: 77-46
2. PART NUMBER
3. QUANTITY
4. DESCRIPTION

GAR-BRO MANUFACTURING CO.
 HIGHWAY 110 EAST P.O. DRAWER 1077
 HEBER SPRINGS, ARKANSAS - 72543-1077

PARTS LIST

"R" SERIES

LIGHTWEIGHT ROUND-GATE BUCKETS
 STANDARD 16" DIAMETER GATE

SCALE	NONE	SHOP NO.	PARTS
DATE	10-24-95	SHIPPING	CUBICS
REVISED	6-25-02	DRAWING NO.	
MADE BY	DCG	77-46	
CHANGED TO/FROM			
SUPERSEDES		SHEET A OF A	