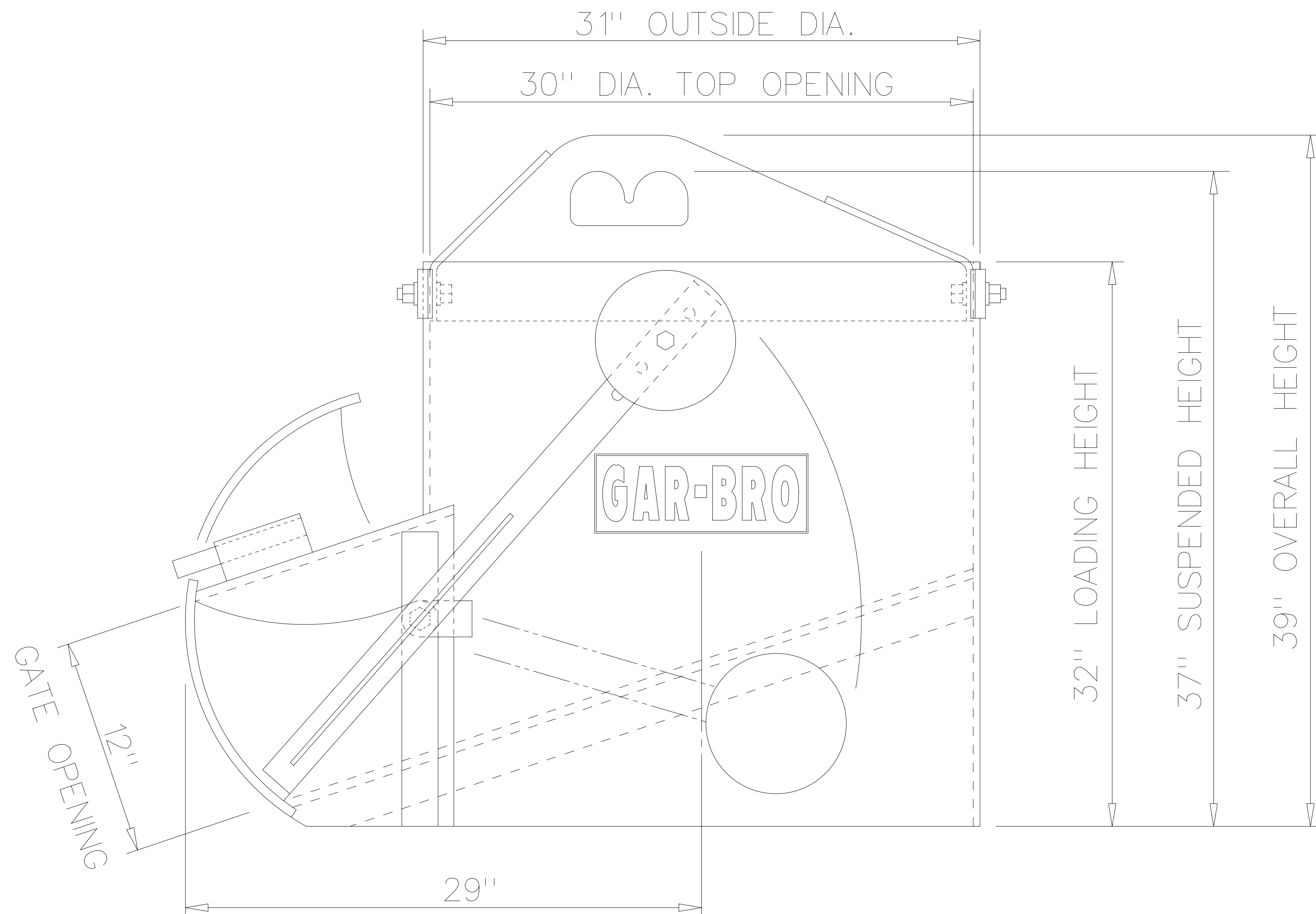
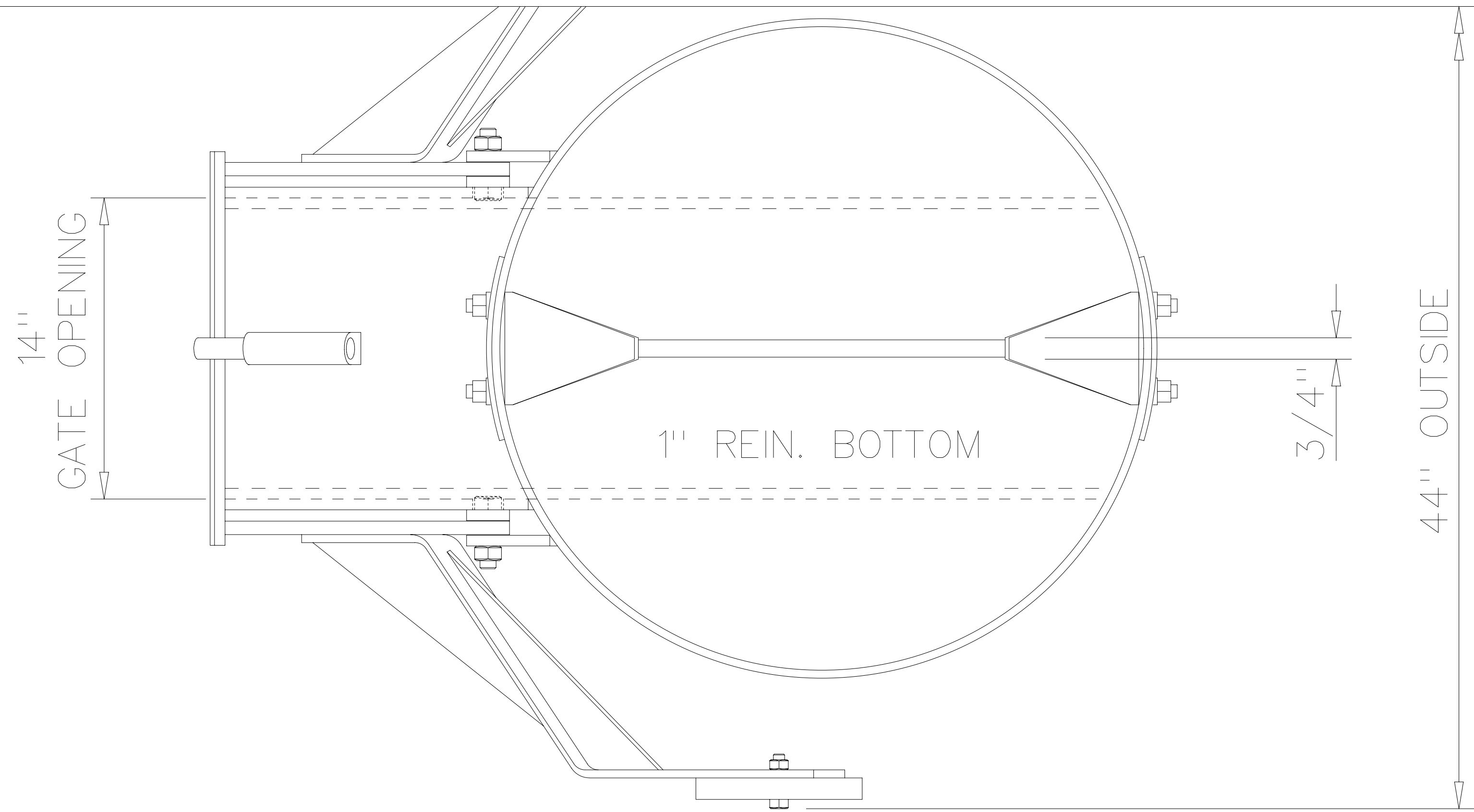


GAR-BRO MANUFACTURING CO.
 104 BOLTON SULLIVAN DRIVE, P.O. DRAWER 1077
 HEBER SPRINGS, ARKANSAS - 72543-1077

**SPL 10 CU.FT. CAPACITY
 BALL MILL BUCKET**
 12" X 14" QUADRANT GATE

SCALE	NONE	SHOP NO.	SALES
DATE	12-26-07	SHIPPING CUBICS	
REVISED		DRAWING NO.	
MADE BY	DCG	07-116	
CHANGED FROM	74-26		
SUPERSEDES		SHEET	AA OF



WATER LEVEL CAPACITY: 10 CU.FT.
 EMPTY WT (EST): 900 LBS
 MAX GROSS WT: 3,700 LBS
 DESIGN MAT'L DENSITY: 275 LBS / CU. FT.