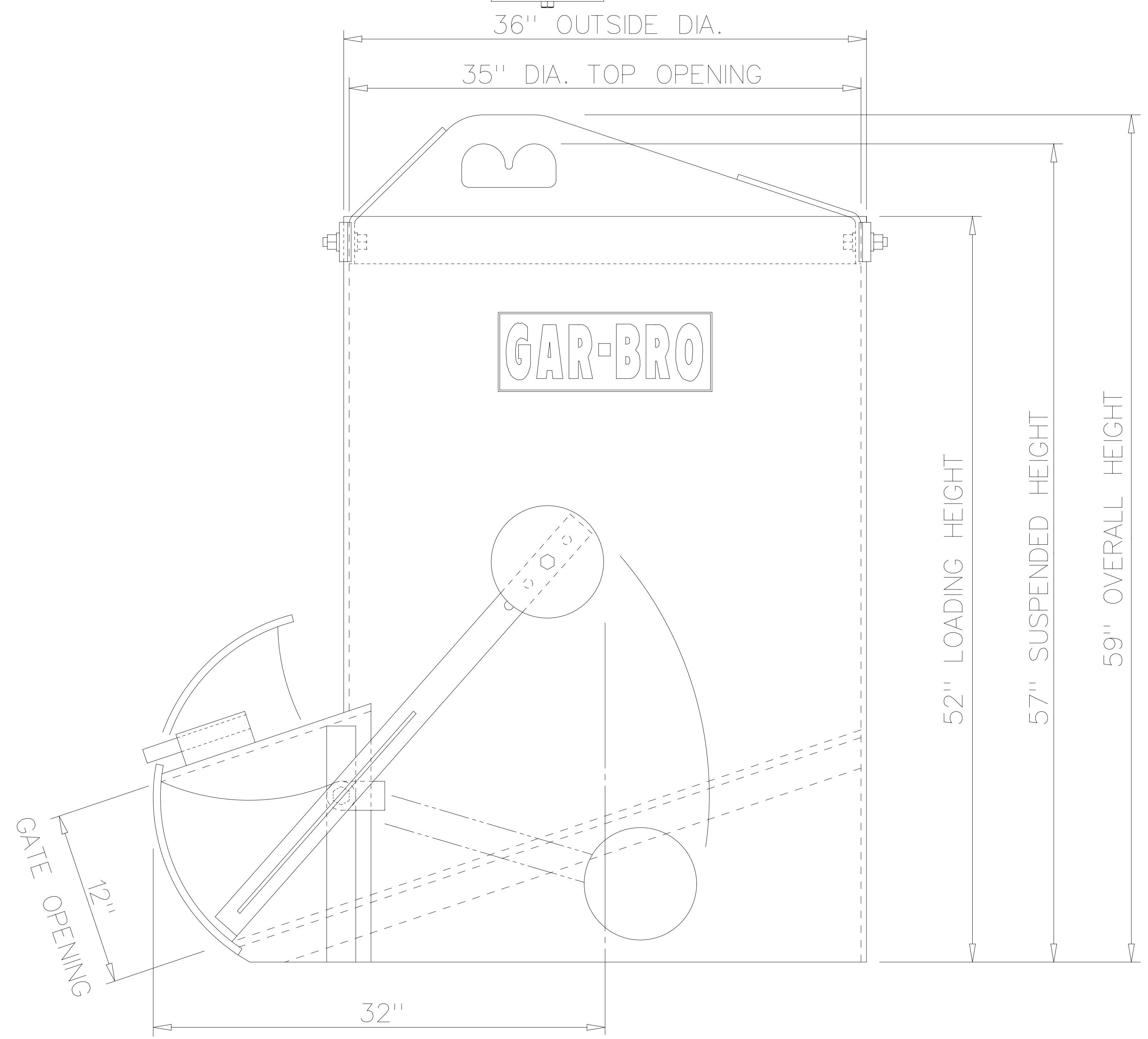
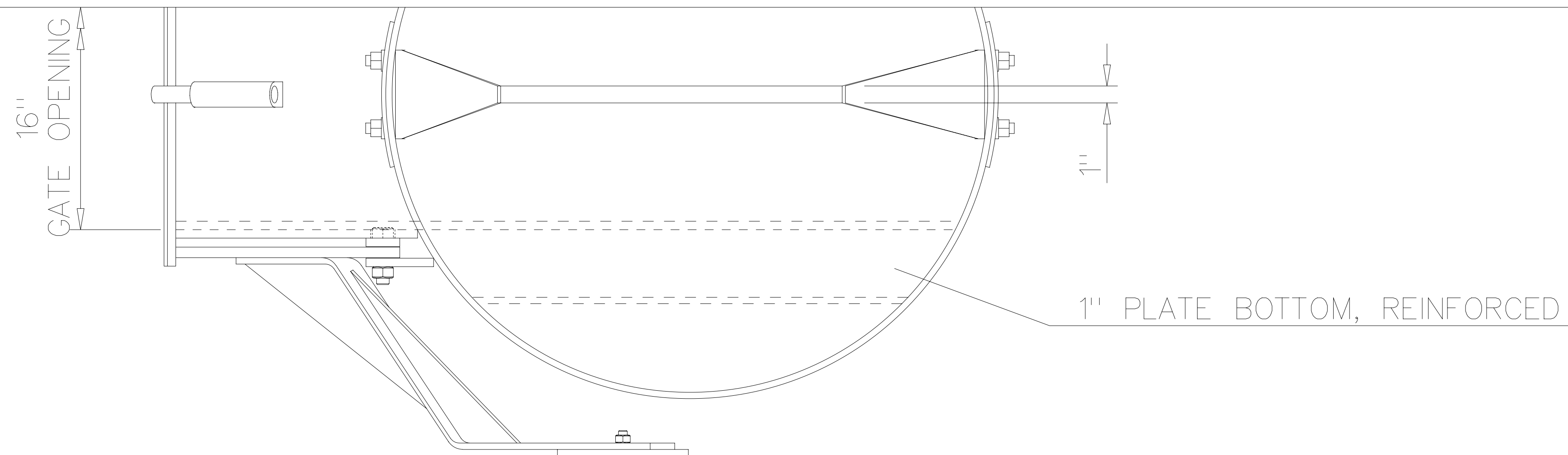


GAR-BRO MANUFACTURING CO.
 104 BOLTON SULLIVAN DRIVE, P.O. DRAWER 1077
 HEBER SPRINGS, ARKANSAS - 72543-1077

SPL 23 CU.FT. CAPACITY BALL MILL BUCKET

12" X 16" QUADRANT GATE

SCALE	NONE	SHOP NO.	SALES
DATE	11-21-96	SHIPPING CUBICS	
REVISED		DRAWING NO.	
MADE BY	DCG	74-26	
CHANGED FROM			
SUPERSEDES		SHEET	AA OF



WATER LEVEL CAPACITY: 23 CU.FT.
 EMPTY WT (EST): 1,450 LBS
 MAX GROSS WT: 9,500 LBS