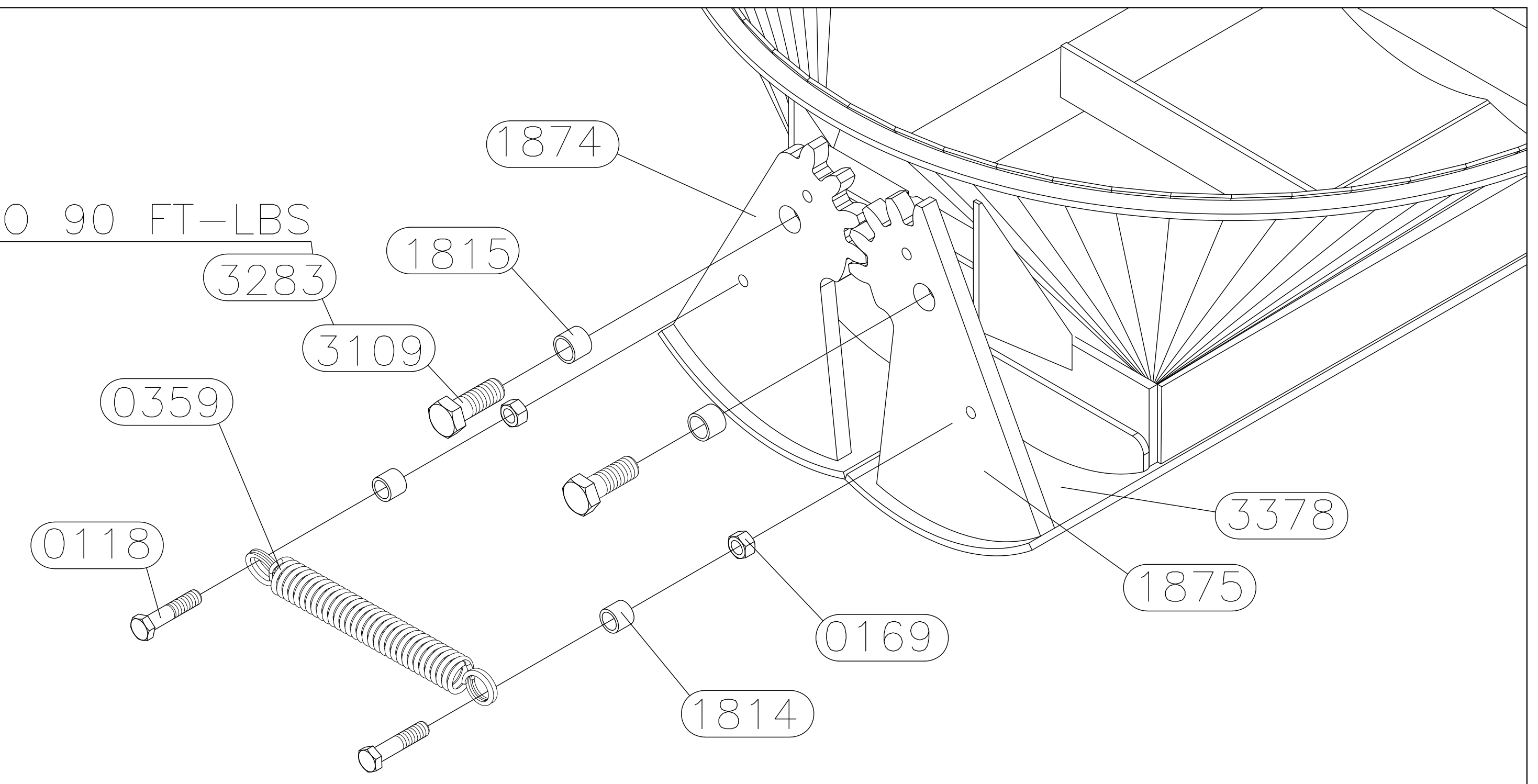


TORQUE TO 90 FT-LBS



PART NO.	DESCRIPTION
△ 0019	LOCKWASHER
△ 0114	HANDLE BOLT
0154	HANDLE SPRING
△ 3379	GATEPLATE/RADARM ASSY'
3362	GATE REPAIR KIT
3363	GATE COMPLETE

△ INCLUDED IN PN REPAIR KIT

PART NO.	DESCRIPTION
1874	RADIUS ARM, 4 TEETH
1875	RADIUS ARM, 5 TEETH
3378	GATE PLATE ONLY
△ 1814	SPRING SPACER
△ 1815	PIVOT BUSHING
△ 0169	HEX NUT
△ 3109	PIVOT BOLT
△ 0359	GATE SPRING
△ 0118	GATE SPRING BOLT
△ 3283	THREAD LOCK

REF.	DESCRIPTION	ITEM NUMBER			
		469-LP	482-LP	4110-LP**	4136-LP**
A	V-LEG	3364	3364	3365	3366
B	A-LEG	3367	3367	3368	3369
C	BOTTOM RING SECTOR	3370	3370	3371	3372
D	GATE LEVER	3373	3373	3373	3374
E	FRAME COMPLETE	3375	3375	3376	3377

NOTE: RADIUS ARMS AND GATE PLATES MAY BE ORDERED SEPARATELY USING CORRESPONDING PART NUMBERS AS SHOWN. HOWEVER, FOR EASE OF ASSEMBLY AND PROPER GATE ALIGNMENT, IT IS RECOMMENDED THAT THE "GATEPLATE/RADARM ASS'Y"—

REF PN 3379 — BE ORDERED. THE "GATEPLATE/RADARM ASS'Y" IS FURNISHED COMPLETE WITH RADIUS ARMS ATTACHED AT EACH END. **TWO** GATE PLATE ASSEMBLIES ARE REQUIRED PER GATE.

WHEN ORDERING PARTS, SPECIFY:
 1. THIS DRAWING NO: 18-118
 2. PART NUMBER
 3. QUANTITY
 4. DESCRIPTION

**** NOTE:** THESE BUCKET SIZES VISUALLY DIFFER FROM STYLE SHOWN ABOVE. PLEASE CALL FOR ADDITIONAL INFORMATION

GAR-BRO MANUFACTURING CO.
 104 BOLTON SULLIVAN DRIVE - P.O. DRAWER 1077
 HEBER SPRINGS, ARKANSAS 72543-1077

PARTS LIST "LP" SERIES

LIGHTWEIGHT LOW PROFILE BUCKETS
 STANDARD "LP" 15" x 22" GATE

SCALE	NONE	SHOP NO.	PARTS
DATE	9/20/18	SHIPPING CUBICS	
REVISED		DRAWING NO. 18-118	
MADE BY	AKN		
CHANGED FROM			
SUPERSEDES			
		SHEET	A