

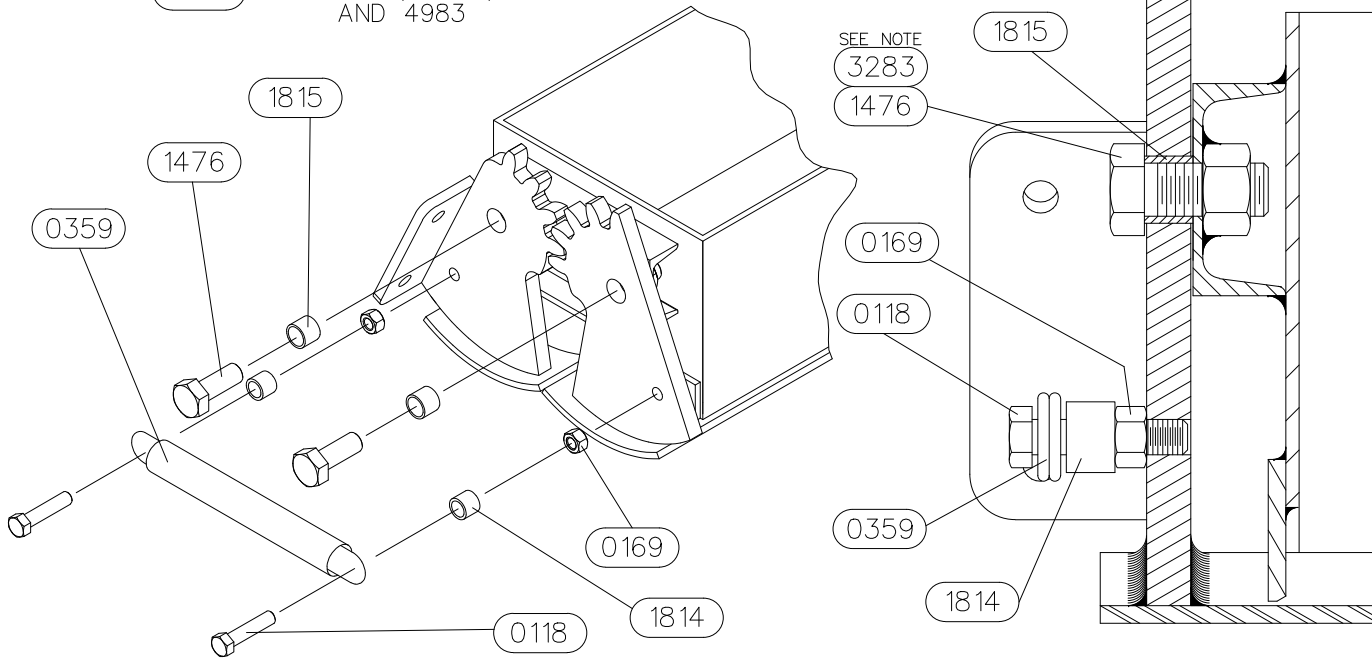
WHEN ORDERING PARTS, SPECIFY:

1. PART NUMBER
2. QUANTITY
3. DESCRIPTION
4. THIS DRAWING NUMBER: 02-39 SHEET A

△ INCLUDED IN PN 3307 REPAIR KIT

NOTE: CLEAN PIVOT BOLT O.D. & HINGE BAR I.D. WITH LOCTITE ODC-FREE CLEANER & DEGREASER OR CRC HEAVY DUTY DEGREASER, APPLY LOCTITE 277 (GAR-BRO PART # 3283) THREAD LOCKER TO I.D. OF EACH TAPPED HOLE IN HINGE BAR, 2 PLACES-180 DEGREES APART  
TORQUE PIVOT BOLT TO 90 FT-LBS ± 5 FT-LBS 4 PLACES

- 3213
- 3214 ITEMS 4911, 4914, AND 4920  
OR  
3215 ITEM 4928  
OR  
3232 ITEMS 4940, 4958, AND 4983



| THIS DRAWING IN DESIGN AND DETAIL IS THE PROPERTY OF GAR-BRO MANUFACTURING COMPANY AND MUST NOT BE USED EXCEPT IN CONNECTION WITH OUR WORK. ALL RIGHTS OF DESIGN, DETAIL, AND INVENTION ARE RESERVED |   |
|--|---|
| 3307   | COMBO GATE REPAIR KIT                           |
| △ 3285   | GATE PLT/RADIUS ARM ASSY WITH HANDLE BRACKET    |
| △ 3283   | THREAD LOCKING COMPOUND                         |
| 3232   | HANDLE ASSEMBLY, ITEMS 4940, 4958, AND 4983     |
| 3215   | HANDLE ASSEMBLY, ITEM 4928                      |
| 3214   | HANDLE ASSEMBLY, ITEMS 4911, 4914, AND 4920     |
| 3213   | GATE COMPLETE, 10X15, MANUAL                    |
| △ 3212   | GATE PLT/RADIUS ARM ASSY WITHOUT HANDLE BRACKET |
| △ 1815   | BUSHING, RADIUS ARM                             |
| △ 1814   | SPACER, SPRING                                  |
| △ 1476   | CAPSCREW, 3/4-16 X 2                            |
| △ 0359   | GATE SPRING                                     |
| △ 0282   | CAPSCREW, 1/2-13 X 1 1/2                        |
| △ 0169   | HEX NUT, 1/2-13                                 |
| △ 0118   | CAPSCREW, 1/2-13 X 2 1/4                        |
| △ 0019   | LOCKWASHER                                      |
| PART NUMBER  | DESCRIPTION                                     |
| GAR-BRO MANUFACTURING CO.<br>104 BOLTON SULLIVAN DRIVE P.O. DRAWER 1077<br>HEBER SPRINGS, ARKANSAS - 72543-1077  |   |
| PARTS LIST FOR<br>ITEMS 4911 THRU 4983<br>COMBO BUCKETS<br>WITH<br>10 INCH X 15 INCH MANUAL GATE   |   |
| SCALE  | NONE  |
| DATE   | 5-23-02   |
| REVISED  | 8-23-11   |
| MADE BY  | JPA   |
| CHANGED TO/FROM  |   |
| SUPERSEDES   |   |
| SHOP NO.   | PARTS   |
| SHIPPING CUBICS  |   |
| DRAWING NO.  | 02-39   |
| SHEET  | A OF  |