

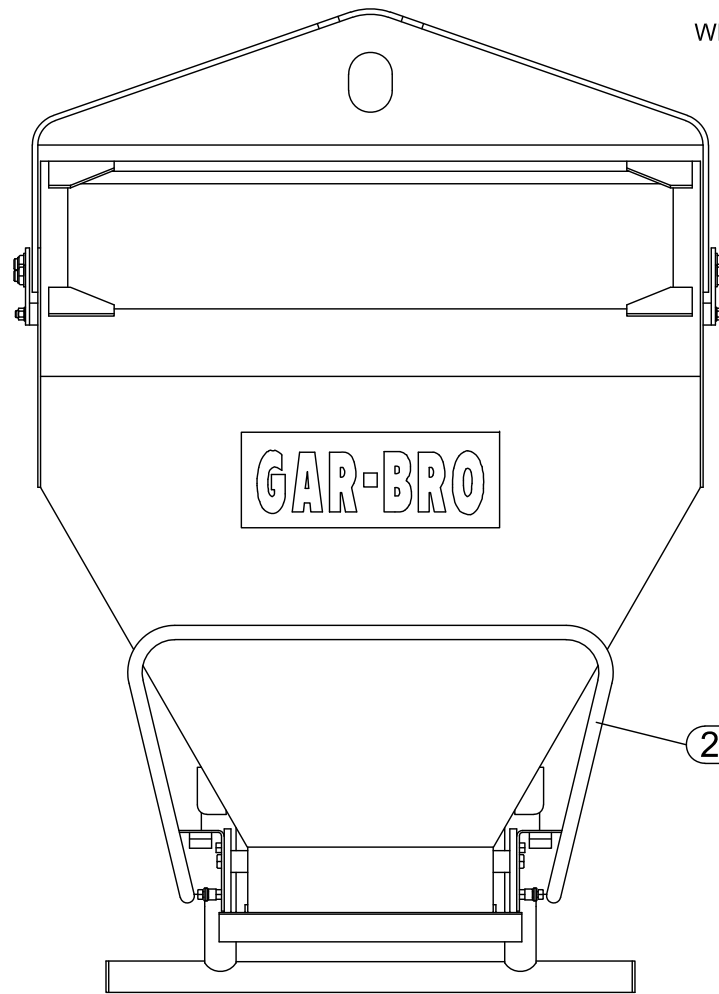
DESCRIPTION	416-L	426-L	436-L	446-L	466-L	496-L	4126-L	4156-L	4186-L	4236-L
LIFTING BAIL	2478	2481	2285	2484	2487	2490	2668	2669	2670	2671
BAIL PIVOT BOLT	2281	2281	2281	2281	2281	1206	0836	0836	3171	3172
BAIL PIVOT BOLT NUT	1761	1761	1761	1761	1761	3065	3065	3065	2683	2683
BAIL PIVOT BUSHING	2282	2282	2282	2282	2282	1219	1219	2680	2682	2685
BAIL PIVOT BOLT WASHER OUTER	0203	0203	0203	0203	0203	0274	0274	0274	2375	2375
BAIL PIVOT BOLT WASHER INNER	0203	0203	0203	0203	0203	1220	1220	1220	2375	2375
BAIL SAFETY BOLT	2280	2280	2280	2500	2500	2501	1202	1202	1202	2267
BAIL BOLT NUT	2283	2283	2283	2245	2245	2245	1181	1181	1181	0891
BAIL BOLT WASHER	2284	2284	2284	2404	2404	2404	2185	2185	2185	3170

	PART #	DESCRIPTION
△	3283	THREAD LOCKING CMPD
	3000	"G" GATE REPAIR KIT
	2289	"G" GATE COMPLETE
	2288	GATE LEVER
△	1834	GATE PLT/ R ARM ASSY
△	1815	PIVOT BUSHING
△	1814	SPRING SPACER
△	1476	PIVOT BOLT
△	0359	GATE SPRING
△	0169	HEX NUT
△	0118	GATE SPRING BOLT
△	0114	HANDLE BOLT
△	0019	LOCKWASHER
△	3384	THIN LOCK NUT

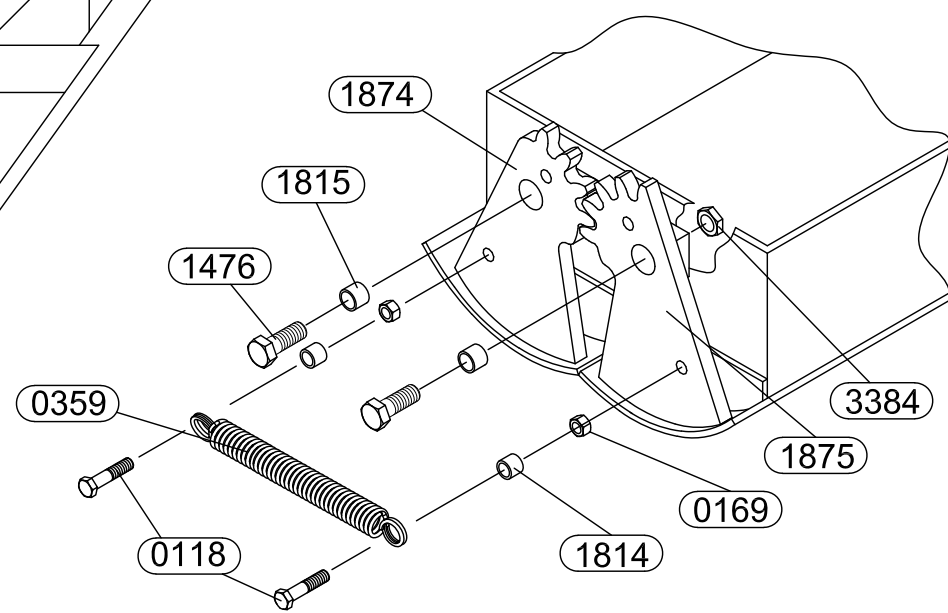
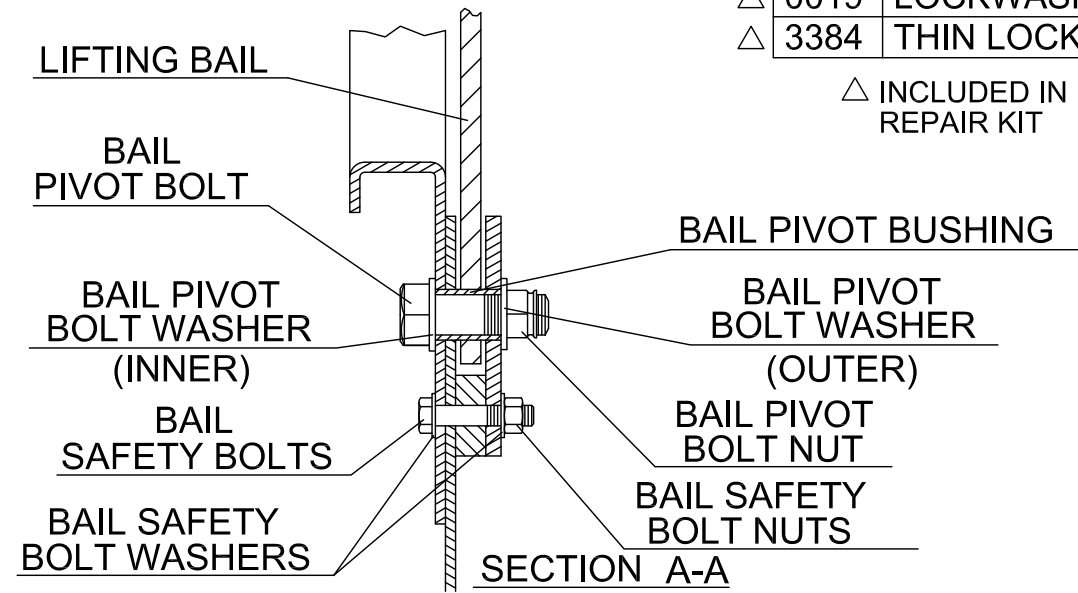
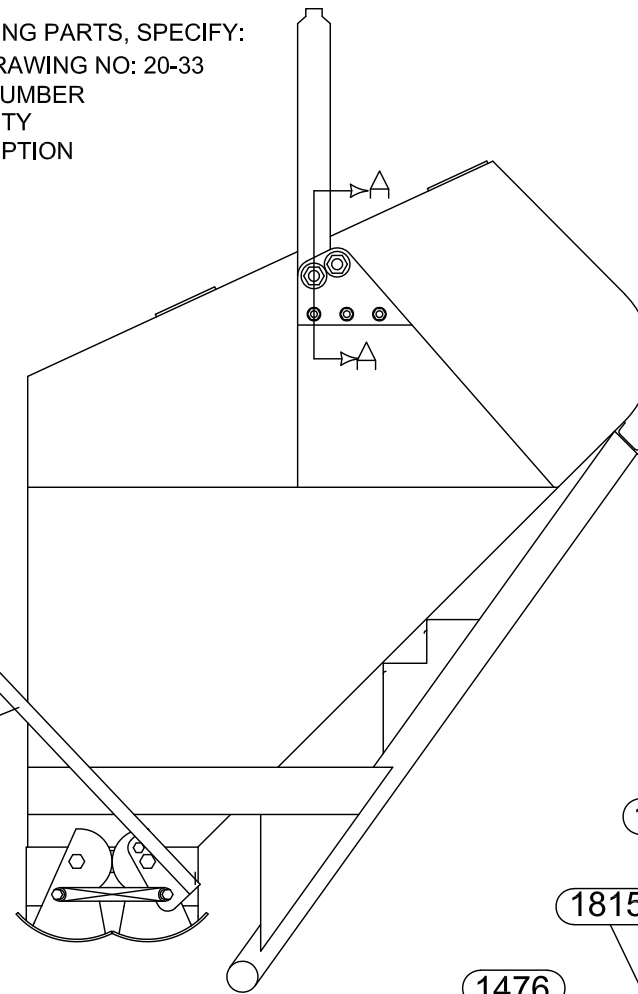
△ INCLUDED IN PN 3000 REPAIR KIT

WHEN ORDERING PARTS, SPECIFY:

1. THIS DRAWING NO: 20-33
2. PART NUMBER
3. QUANTITY
4. DESCRIPTION



2288



FOR BUCKETS MANUFACTURED AS FOLLOWS:
 ALL ITEM 416-L, 426-L, AND 436-L
 ITEM 446-L BUILT BEFORE NOVEMBER 1998
 ITEM 466-L BUILT BEFORE SEPTEMBER 1992
 ITEM 496-L BUILT BEFORE OCTOBER 1991
 ITEM 4126-L BUILT BEFORE FEBRUARY 1993
 ITEM 4156-L BUILT BEFORE MAY 1996
 FOR BUCKETS MANUFACTURED LATER THAN SHOWN, SEE DRAWING 20-34

GAR-BRO MANUFACTURING CO.
 104 BOLTON SULLIVAN DRIVE P.O. DRAWER 1077
 HEBER SPRINGS, ARKANSAS - 72543-1077

ITEM 416-L THRU. 4236-L
 "L" SERIES LIGHTWEIGHT
 LAYDOWN BUCKET
 PARTS LIST

SCALE	NONE	SHOP NO.	SALES
DATE	2/17/2020	SHIPPING CUBICS	
REVISED		DRAWING NO. 20-33	
MADE BY	LAP		
CHANGED TO/FROM			
SUPERSEDES	74-49	SHEET	A OF A